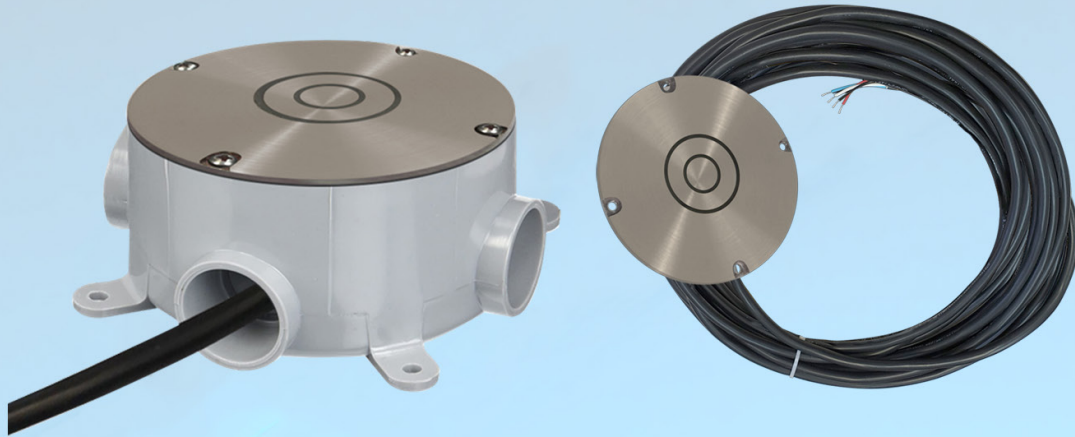


Outdoor Snow & Ice Ground Sensor

[ODC - GROUNDSS-19]

Snow and ice pavement sensor to be used with the Resibox3-19 or the Combox600-19 controllers.



Energy-Smart Performance

Enables energy-efficient algorithms, that optimize system operation and reduce unnecessary heating when controlled by a suitable power distribution panel.

Customisable Detection Settings

Adjustable temperature set-point and relative humidity sensitivity, set directly by the Resibox3-19 or Combox600-19 for precise system tuning.

Simple, Centralised Control

All parameters easily configured through the Resibox3-19 or Combox600-19 controller's intuitive interface.

Year-Round System Checks

Technician testing/commissioning mode enables fast system checks anytime - even during the summer months or when temperatures are high.

Overview

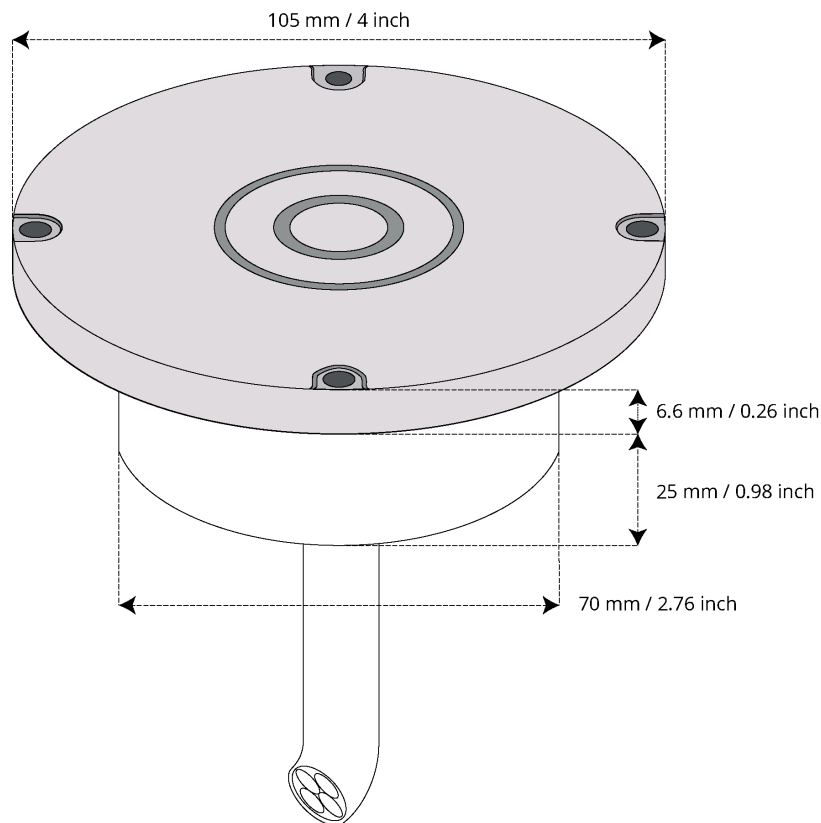
The ODC-GROUND offers a stylish and dependable solution for ground and pavement snow detection. Installed outdoors, it identifies snow and ice conditions and communicates them to the heating system through either the Resibox3-19 or the Combox600-19 controllers.

Supplied with a 30ft (10m), 24V 4 Core cable for connection, it communicates with a controller to provide snow detection based on the adjustable parameters. Any sensor, will activate the heaters based on the heating sequence set.

Integrated heating elements stop snow from accumulating on the sensor, delivering dependable snow and ice detection in all conditions. The flat, corrosion-proof metal housing offers a durable yet modern look, designed to easily install into any standard round ground plastic junction box (included).

The ODC system supports up to two ground snow sensors connected in sequence. Each sensor must have it's own MAC address for communication with the controller, this can be modified once connection to the system is complete.

Dimensions



Technical Specification

Product Code:	ODC - GROUNDSS-19	Supply:	24 VAC ± 20%, 50-60 Hz
Enclosure:	IP65 for outdoor mounting	Communication:	RS485
Dimensions:	33 ft. (10 m) Four wires cable: 2 x 18 AWG supply wires 2 x 22 AWG communication wires	Operating temperature:	-40 °F to 122 °F (-40 °C to 50 °C)
Material:	Metal: Stainless Steel	Storage temperature:	-50 °F to 158 °F (-40 °C to 70 °C)

Contact

Warmup is available 24/7/365 at (888) 927-6333
 For quotes, layouts and specific technical information contact us at:

Warmup Inc
 www.warmup.com
 us@warmup.com
 T: +1 (888) 927-6333

Warmup Canada
 www.warmup.com
 ca@warmup.com
 T: 1+ (888) 592-7687

25 Francis J Clarke Cir, Bethel,
 CT 06801

Please be advised Warmup Inc., provides these technical specifications and or instructions on a self help basis. We take every precaution to ensure they are accurate. Some of the products are sourced from manufacturers and we relay that information on to you. We do not have the technical specifications reviewed by an engineer and sometimes errors do happen. Our products are only reviewed with an ordinary level of care and when using said products in a situation that warrants additional care please be sure to conduct your own review. As such we strongly suggest before installing our products you have them reviewed by a professional engineer or qualified professional. We under no circumstances warrant our products for a particular use unless specifically agreed in writing.