

### PRODUCT CODE

TEMPO-CW-01

### PRODUCT DESCRIPTION

Suitable with all Warmup underfloor heating systems, the Tempo thermostat allows you to control the temperature of your underfloor heating system, to bring comfort, warmth and luxury to your home.

The Tempo was designed with simple features and accessible interface. Not unlike the original iPods, you dial and click to select the periods and temperature.

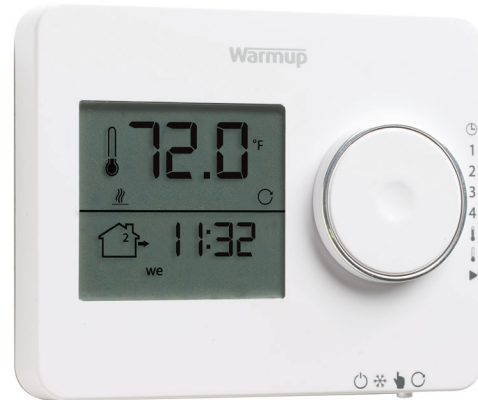
The Tempo provides all the efficient programming features you require, at a very competitive price.

### ADVANTAGES

- **Easy control with dial and sliders**
- **Compatibility:** suitable with all Warmup electric underfloor heating systems.
- **Clear screen displaying program details:** the Tempo's Proportional Adaptive Function learns the time it takes to warm the room and activates the heating early so it is up to the right temperature when needed.
- **Simplicity:** the Tempo enables you to choose the time as easily as you would with a watch or clock and quickly set heating programs .
- **Stylish and contemporary design**
- **Proportional Adaptive Learning**
- **Available in White**
- **3-Years Warranty**

### LIMITATIONS

The Tempo is not a transformer. It must be powered accordingly to the load it will switch and operate.



### SPECIFICATIONS

INPUT VOLTAGE	120V / 240V
MAX LOAD	15A
DIMENSIONS (H/W/D)	90 x 113 x 23mm (from wall)
BATTERY BACKUP	3 months (CR2032 battery provided)
SENSORS	Floor/ Air
SENSOR TYPE	NTC10K 3m long (can be extended to 50m)
IP RATING	IP20
INSTALLATION DEPTH	35mm back box
DISPLAY SIZE	45 X 50mm
COMPATIBILITY	Ideal for electric underfloor heating systems



### TECHNICAL DATA

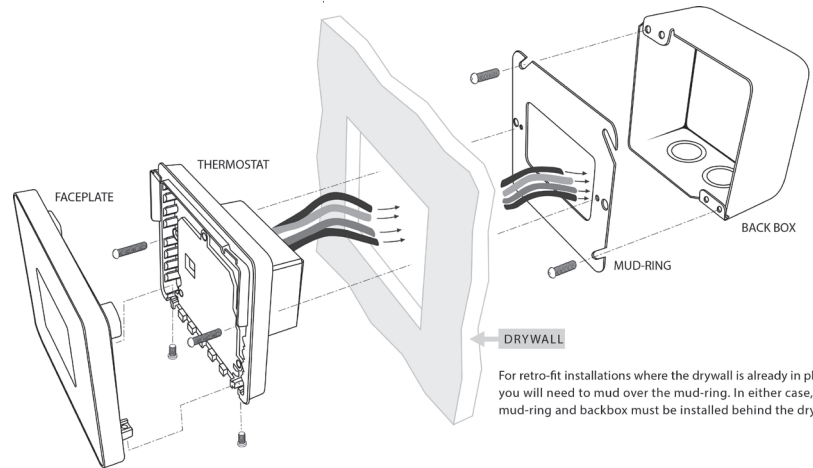
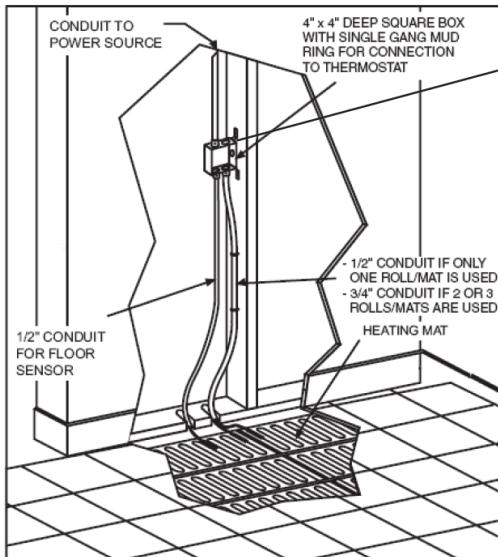
#### APPLICATIONS

Floor Heating

NADWM Floor Heating Mats
NADWS Floor Heating Cables
WODH In-slab Heating Cables
FOIL heating systems
NADCM-PRO Cable for uncoupling membranes

### INSTALLATION

#### ELECTRICAL OVERVIEW WITH THE PROGRAMMABLE THERMOSTAT



#### SENSOR PROBE

- Length: 3 meters or 10 feet
- Cable thickness: 3mm or 1/8"
- Probe dimensions: L x W = 20mm x 6mm or 5/8" x 1/4"
- Cable gauge: 24Ga 2-signal low voltage wire (extendable to 90ft)



### PRODUCT LISTING

Code	Description	Amp (A)
TEMPO-CW-01	Digital Programmable Thermostat	15A

### WARRANTY & MAINTENANCE

When installed according to the installation manual, the Tempo thermostats are covered with Warmup's 3-Year manufacturer warranty.

The system requires no maintenance. All Warmup thermostats are protected by Warmup's SafetyNET Guarantee.

### TECHNICAL SUPPORT

Warmup is available 24/7/365 at (888) 927-6333.

For quotes, layouts and specific technical information, contact us at:

#### Warmup USA

+1 (888) 927-6333

us@warmup.com

#### Warmup CANADA

+1 (888) 592-7687

ca@warmup.com

### RELATED PRODUCTS

- NADCM-PRO - see WSC-0816
- NADWM - see WSC-0720
- NADWS - see WSC-0721
- FOIL - see WSC-0723
- WODH - see WSC-0724