


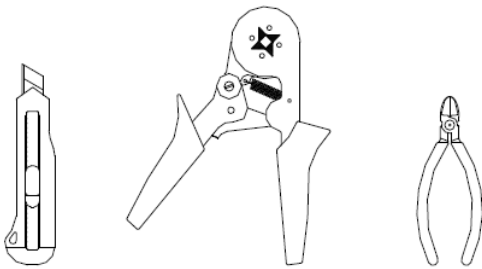


KIT CONTENT

Item	Description
A	Heat shrink sleeve measuring 180 mm / 7" long. 
B	Insulator for connection 
C	Cable gland 
D	Silicone glue

RECOMMENDED TOOLS



IMPORTANT NOTES AND SAFETY INFORMATION

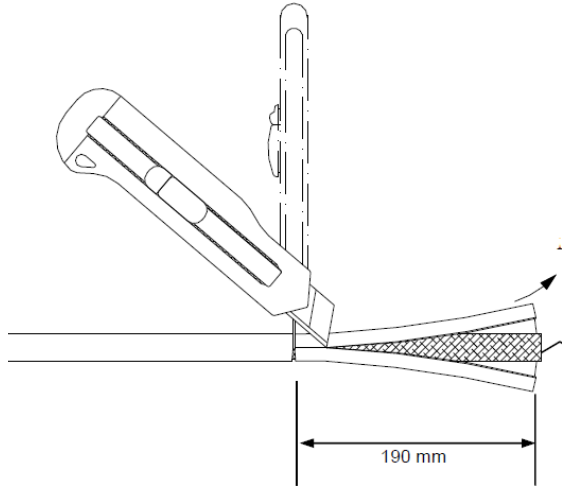
Assembly steps are to be performed by authorized personnel only. Make sure to use appropriate tools for connections of wires and end sleeves.

After assembly be sure to check insulation resistance (min. 500 VDC, preferably 2500VDC => min. 20 MOhm) and measure heater resistance.

Installation and connections must be made in compliance with NEC, CEC and local wiring regulations and electrical codes. Component approvals and performance ratings are based on the use of approved Warmup parts and accessories only.

INSTRUCTIONS

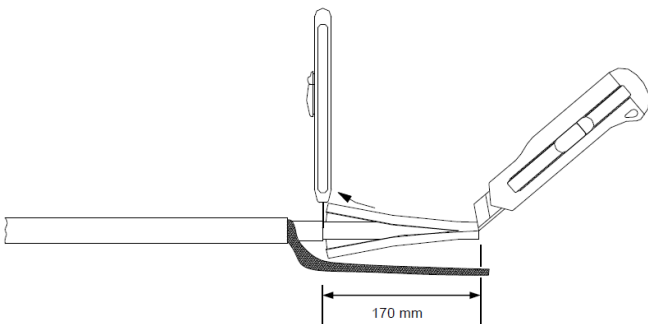
1. Cable Preparation - Be careful not to damage protective braid/wires.



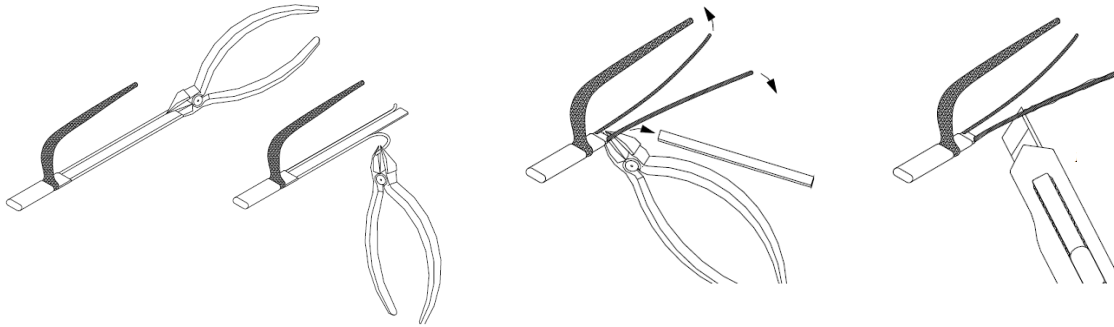
2. Expand braid and pull heating cable through



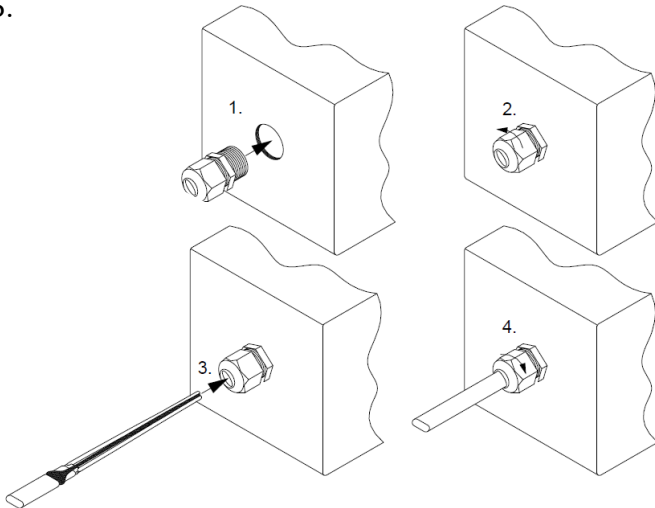
3. Straighten braid wires. DO NOT twist.



4. Carefully expose bus wires and clean them



5.



For hazardous areas be sure to see cable gland instruction manual for additional important information.

6.

