

PRODUCT CODE

ODC-SNOPRO-100-W	SNOPRO-100 WIFI: Control Panel, WiFi Enabled
ODC-SNOPRO-100	SNOPRO-100: Control Panel, Non WiFi



PRODUCT DESCRIPTION

The **SNOPRO-100 WIFI** control is connected to Warmup's WSM Snowmelting App and will monitor snow and ice probability within 2 hours for that location using weather forecasting. When the probability of snow and ice are equal to or greater than the trigger point set by the user, the control will begin to preheat the slab 2 hours before the storm arrival. The user has several options within the App including the ability to remotely turn on and off their system manually. The **SNOPRO-100** can also be used with compatible sensors.

The **SNOPRO-100** control can be used as a standalone (non-connected) control or as a satellite control to the **SNOPRO-100 WIFI** for projects with loads larger than 100A. Both units, when used with one or more compatible sensors, automatically control snow and ice heating cable(s) for minimum energy costs. Applications include pavement, sidewalk, loading dock, roof, gutter, and downspout snow/ice melting in residential, commercial, and industrial environments. The adjustable hold-on timer continues heater operation for up to 10 hours after snow stops to ensure complete melting. The optional Sno-Pro Remote Control Unit can be located where system operation can be conveniently observed. It duplicates many of the **SNOPRO-100** front panel functions.

The **SNOPRO-100** provides advanced patented and patent pending ground fault equipment protection (GFEP) as required by the USA and Canadian National Electric Codes. The GFEP automatically tests itself every time the heater contactors operate and once every 24 hours. The trip current can be set at 60 or 120 mA via an internal switch or retained at the 30-mA default value. As an aid to troubleshooting heater ground faults, the **SNOPRO-100** provides an output that can indicate the ground current on a service person's portable digital volt meter.

The calibrated 40°F to 90°F (4°C to 32°C) high limit temperature sensor prevents excessive temperatures when using constant wattage and mineral insulated (MI) heaters. It also permits safe testing at outdoor temperatures too high for continuous heater operation. The temperature sensor is included. The **SNOPRO-100** provides a complete interface for use in environments supervised by an energy management computer (EMC). This feature can also be used for general purpose remote control and annunciation. All sensor and communication wiring are NEC Class 2. This simplifies installation while enhancing fire and shock safety. The **SNOPRO-100** can interface up to six sensors from the Pro-Sensor product family. Using more sensors provides superior performance by better matching the controller to site performance requirements.

The **SNOPRO-100** is an exceptionally capable de-icing controller. For complete information describing its application, installation, and features, please contact Customer Service.

FEATURES & BENEFITS

- Automatic snow/ice melting control
- Satellite contactor interface for larger systems
- Energy management computer (EMC) interface
- Accommodates MI, constant wattage, and self-regulating heaters
- Multiple sensor capability
- Advanced patented and patent pending ground fault equipment protection
- Heater hold-on and test capabilities
- C-UL-US
- Simple to install and operate
- Low system costs
- Minimum energy costs

SPECIFICATIONS

GENERAL

Area of Use	Non-hazardous locations
Approvals	Type 873 Temperature Regulating Equipment Also evaluated by Underwriters Laboratories Inc® in accordance with UL 1053 Ground-Fault Sensing and Relaying Equipment



ENCLOSURE

Protection	NEMA 3R
Cover Attachment	Hinged polycarbonate cover, lockable
Entries	One 1-1/16" entry (top) for NEC Class 2 connections Two 1-11/16" entries (bottom) for supply and load power, except 277 V single phase Two 1-1/16" entries (bottom) for supply and load power, 277 V single phase only
Material	Polycarbonate
Mounting	Wall mount
Dimensions	9.125"(L) x 1 1.50(W) x 6.56(H) 232mm (L) x 292mm (W) x 167mm (H)

CONTROL

Supply Voltage	208-240 VAC, 35 VA, three phase 50/60 Hz 277 VAC, 45 VA, single phase 50/60 Hz 277/480 VAC, 45 VA, three phase 50/60 Hz 600 VAC, 50 VA, three phase 50/60 Hz
Load	208-240 VAC, 50 amp max. resistive 277 VAC, 40 amp max. resistive 277/480 VAC, 50 amp max. resistive 600 VAC, 50 amp max. resistive
Contact Type	3 Form A
Weight	SNOPRO-100 WiFi: 8.6 pounds SNOPRO-100: 7.1 pounds
Maximum Ratings	Voltage: 600 V Current: 50 A except 277 V single phase, 40 A for 277 V single phase
Heater Hold-On Timer	0 to 10 hours; actuated by snow stopping or toggle switch
System Test	Switch toggles heater contact on and off. If temperature exceeds optional high limit thermistor (45°F), heater shuts off to reduce costs and prevent damage.



The world's **best-selling** floor heating brand™

SNOPRO-100

SUBMITTAL SHEET WSC - 0723

SPECIFICATIONS CONT'D

FRONT PANEL INTERFACE

- Status Indicator SUPPLY (green): Power on
- HEAT (yellow): Heating cycle in progress
- SNOW (yellow): Sensor(s) detect snow
- GFEP (red): Ground Fault condition
- GFEP (red, flashing): Failed
- GFEP (red, rapid flashing): GFEP test in progress

COMMUNICATION BUS

- Number Cascaded Units Unlimited
- Contact Delay 5 seconds
- Bus-Wire Type 3-wire jacketed cable
- Circuit Type NEC Class 2
- Lead Length Up to 500' (152m) using 18 AWG 3-wire jacketed cable
- Up to 2,000' (609m) using 12 AWG 3-wire jacketed cable

GROUND FAULT EQUIPMENT PROTECTION (GFEP)

- Set Point 30 mA (default); 60 mA and 120 mA selectable by DIP switch
- Automatic Self-Test Mode A: Verifies GFEP function before contactors operate
- Mode B: Verifies GFEP and heaters every 24 hours
- Manual Test/Reset Toggle switch provided for this function

ENVIRONMENTAL

- Operating Temperature -40°F to 131°F (-40°C to 55°C)
- Storage Temperature -50°F to 140°F (-45°C to 60°C)

ORDERING INFORMATION

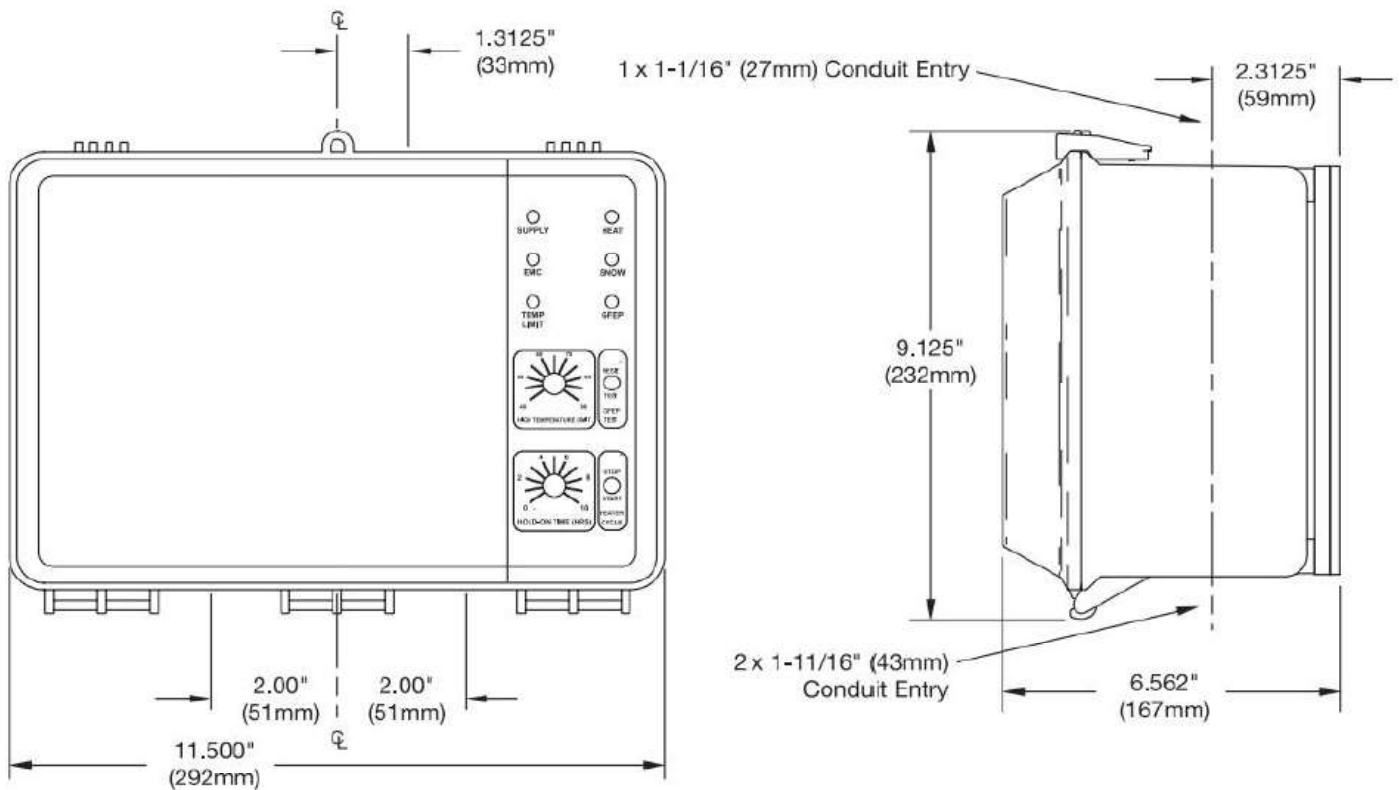
ORDER NUMBER	DESCRIPTION
OODC-SNOPRO-100-W	SNOPRO-100 WIFI: Control Panel, WiFi Enabled, 120 VAC 50/60 Hz
ODC-SNOPRO-100	SNOPRO-100: Control Panel, Non WiFi, 120 VAC 50/60 Hz

LIMITED WARRANTY

2 Years



DIMENSIONAL DRAWINGS



TECHNICAL SUPPORT

Warmup is available 24/7/365.

For quotes, layouts, and specific technical information, contact us at:

Warmup USA
(888) 927-6333
ussales@warmup.com

Warmup CANADA
(888) 592-7687
ca@warmup.com

RELATED PRODUCTS

- WSMM Snow Melt Cables and Mats
- Self-Regulating Cable: Roof & Gutter and Pipe Freeze Protection
- Pro-A: Aerial Mount Snow Sensor
- Pro-G-H: Pavement Sensor (includes Housing)
- Pro-R: Gutter Sensor
- Pro-Remote: Remote Control (optional)