

Description

The Roof Clips are suitable for use with Warmup NAMSRS heating cables. Do not use other hardware or techniques which may damage the heating cable and create an electrical hazard, risk of fire, or poor performance.

The Roof Clips are used to secure Warmup heating cables to shingle and metal seam roofs and gutters.



Tools Required

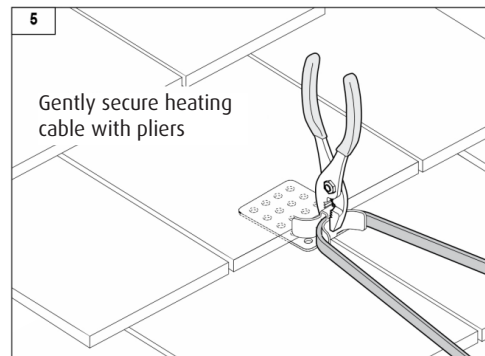
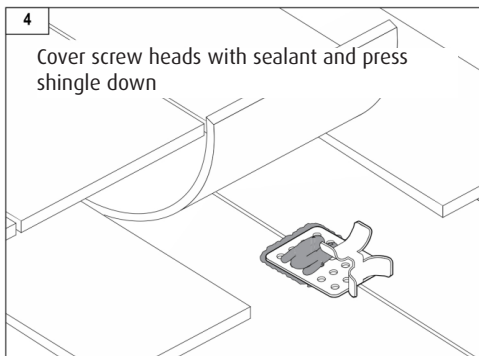
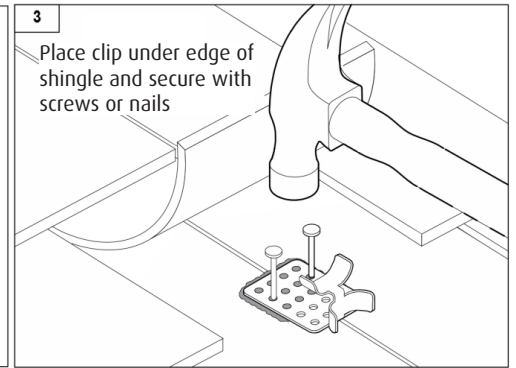
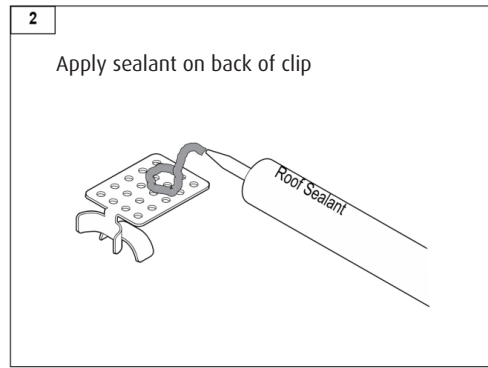
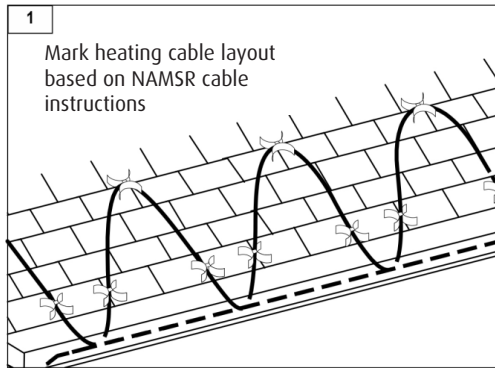
Installed per NFPA 70, National Electrical Code (NEC), Article 426.

- Hammer/ Drill
- Pliers
- Caulking Gun
- Recommended Adhesives for Metal Roofs

Warning

- Roof Clips must be installed properly to ensure proper operation and to prevent the risk of electrical hazard or fire. Follow all design, installation, assembly and test instructions carefully.
- To minimize the danger of fire from sustained electrical arcing if the heating cable is damaged or improperly installed, and to comply with the requirements of Warmup national electrical codes, ground-fault equipment protection must be used on each heating cable branch circuit. Arcing may not be stopped by conventional circuit protection.
- Article 426 of the National Electrical Code and Section 62 of CAN/CSA-C22.1, Canadian Electrical Code govern the installation of Warmup heating cable.
- Do not use Roof Clip for installation on slate or tile roofs as damage may occur to roof material. Consult roofing manufacturer for components approved for use on specific roof material.
- De-energize all power circuits before installation or servicing.
- Keep ends of heating devices and kit components dry before and during installation.
- Damaged heating cable can cause arcing or fire. Do not energize damaged heating cable. Repair or replace damaged heating cable prior to applying power.
- While using pliers to close clamps on heating cable, heating cable should not be crushed or altered structurally in any way.
- The cable should not be twisted during installation.
- The heating cable should not be embedded in thermal insulation.

INSTALLATION ON SHINGLES



INSTALLATION ON METAL ROOFS

