

### PRODUCT CODE

USET03

### PRODUCT DESCRIPTION

- Designed for easy installation and maintenance
- Simple operation. Magnet activated controls, no need to remove cover
- Low power consumption - Operates only when moisture detected
- Compatible with the Warmup outdoor sensors (ETOR - ETOG)
- 3x30 Amp load capacity
- NEMA4x / IP66 rated enclosure for outdoor installation capability
- Withstands low temperatures



### ADVANTAGES

- Can be mounted inside or outside
- Connect loads directly to controller
- Can switch up to 400sqft of Warmup snow melting cables. Up to 540-600sqft if cable spaced at 4"-5".

### SPECIFICATIONS

Dimension (H(H)WD)	162mm(190mm)/252mm/89mm [6.4"(7.5")/9.9"/3.5"]
Load	30 Amp resistive load
Trigger temperature	5°C / 41°F - User defined
Power supply	120-240VAC at 60Hz or 120-208, 277-480VAC 3-phase
Approval	UL-approved components

### APPLICATION

Operate	WSM/WSMM snow melting installations outdoors
	NAMSR cables on pipes and roofs

### INSTALLATION

#### Weather resistant and weather based heating.

The ET03 is designed for outdoor and indoor installation maintaining integrity level NEMA4x / IP 66. The controller will withstand temperatures down to -50°C / -58F.

Warmup's sensors ensure energy efficient operation by only triggering the ET03 system when moisture is detected.

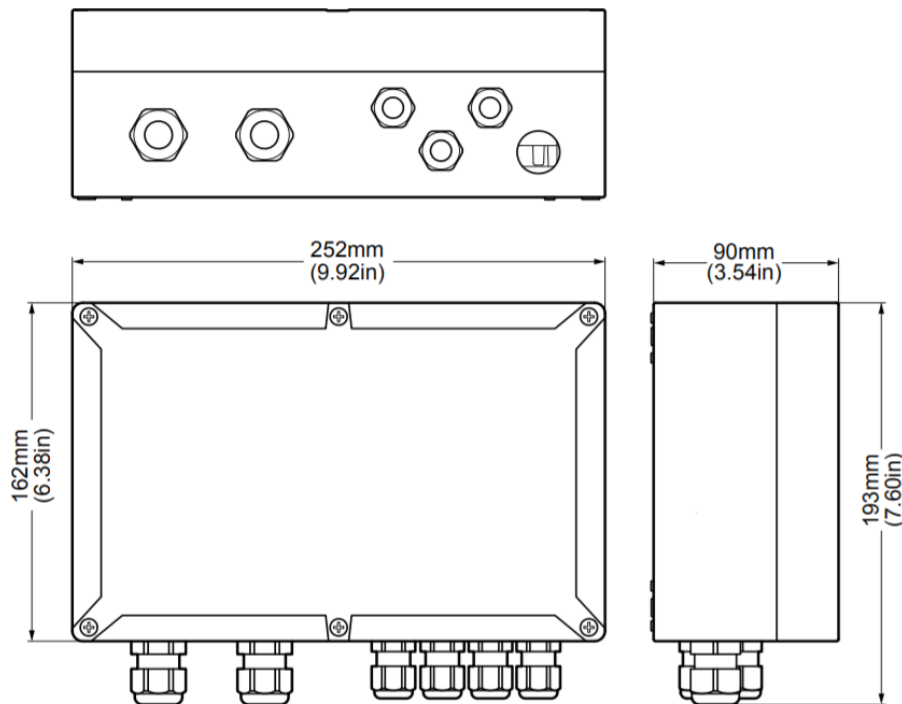
#### Easy Installation

Mount the controller with four screws and then connect the cables. Define sensor use and after-run time. Run the system test program. Be at ease. Quick setup and operation.

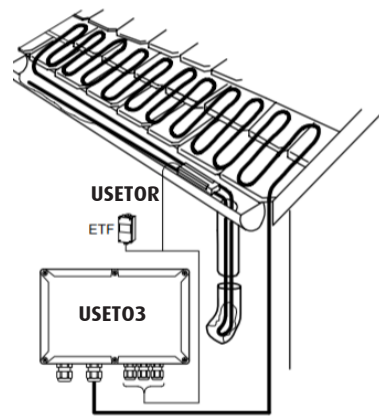
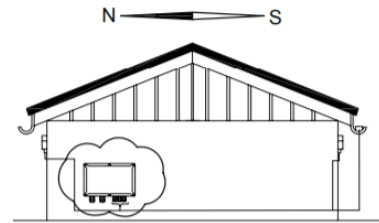
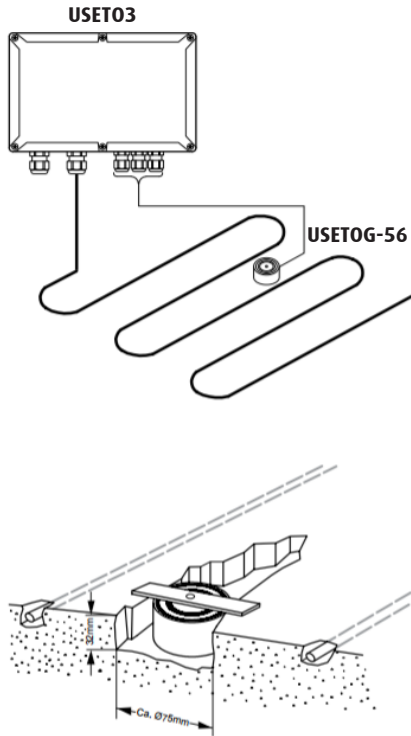
#### Easy Operation

Simply swipe the ET03 with a magnet to see the status. Not what you need? Then just swipe again. No need to remove the cover, read long instructions or even check on the system every day.

### DIMENSIONAL DRAWING



### GROUND AND GUTTER SENSOR DRAWINGS



### WARRANTY & MAINTENANCE

When installed according to the installation manual, the ET03 is covered with Warmup's 1-year manufacturer warranty.

### TECHNICAL SUPPORT

Warmup is available 24/7/365 at (888) 927-6333.

For quotes, layouts and specific technical information, contact us at:

Warmup USA  
(888) 927-6333  
us@warmup.com

Warmup CANADA  
(888) 592-7687  
ca@warmup.com

### RELATED PRODUCTS

- WSM | WSMM Snow Melting Cable and Mat - see WSC-0726 & WSC-0729
- NAMSR Self-Regulating Cable for Roof - see WSC-0929
- USETOG-56 - USETOR