

Towel Warmer Installation Instructions



**Bathroom
Heating**

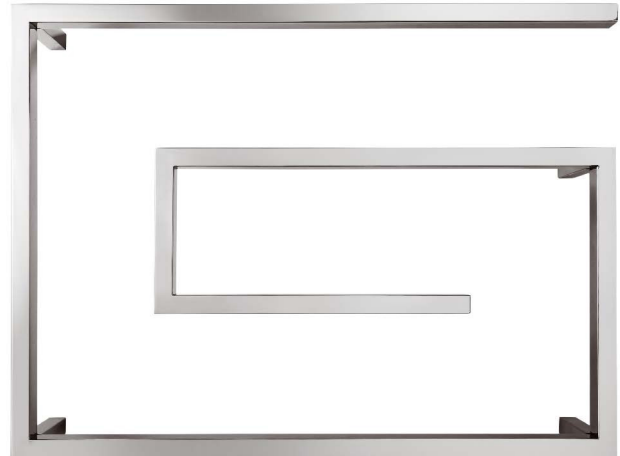
Warmup[®]

The world's **best-selling** floor heating brand™

APPLICABLE MODELS

HTR-091B, HTR-107BN, HTR-110BN, HTR-080PC,
HTR-081PC, HTR-082PC, HTR-092PC

For Models HTR-001B, HTR-002B, AND HTR-002BN
see page 7.



INTRODUCTION

Warmup® Towel Warmers were designed and built with simplicity in mind. Constructed of high quality 304 stainless steel expertly welded in unique designs, Warmup towel warmers are safe and easy to use.

While most of our models require hard-wiring to a power source (except plug-in models) they do not require a control.

If your goal is to get the comfort of a nice warm towel after the bath or shower, then wire it to your light switch. By the time you're done, your towel will be wonderfully warm.

If the plan is to dry the towels faster in an active household or prevent the discomfort of moldy towels in a poorly ventilated space, then wire it to a separate switch which you can leave on separately from the lights or fan.

When combining a towel warmer to a Warmup® Floor Heating system you can conveniently connect the device to your 4iE® Smart WiFi thermostat. Double-check the amperage draw of the existing system before combining both on the same controller. If unsure, contact a professional installer/electrician, or call us at (888) 927-6333.

Mounting the towel warmer is very simple with the enclosed instructions. Make sure to read this manual for the do's and don'ts and solicit the help of qualified tradesmen when necessary.

FIRST THINGS FIRST

Carefully unpack your towel warmer and ensure all pieces are included for a successful installation.

Watch our videos online at www.warmup.com or access the online technical information at warmupedia.warmup.com.

Contact Warmup® with any questions on the contents of your order. Check the resistance of the heating cable coming from the towel warmer with an ohm-meter or Warmup's Alligator Tester.

Check the chart below and ensure your reading is within 10% of the approved resistance reading.


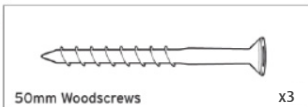



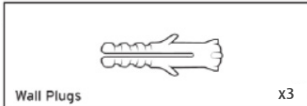



CODE	TUBE SHAPE	BARBS	FINISH	VOLTAGE	AMPERAGE	RESISTANCE
HTR-001B	Round	1+	Matte Black	120V	0.12	1600Ω
HTR-002B	Square	1+	Matte Black	120V	0.12	1600Ω
HTR-091B	Square	6	Matte Black	120V	0.5	240Ω
HTR-002BN	Square	1+	Brushed Nickel	120V	0.12	1600Ω
HTR-107BN	Square	7	Brushed Nickel	120V	0.67	180Ω
HTR-110BN	Square	10	Brushed Nickel	120V	1.0	120Ω
HTR-001PC	Round	1+	Polished Chrome	120V	0.12	1600Ω
HTR-080PC	Square	4	Polished Chrome	120V	0.67	180Ω
HTR-081PC	Square	4	Polished Chrome	120V	0.5	240Ω
HTR-082PC	Square	5	Polished Chrome	120V	0.5	240Ω
HTR-092PC	Round	9	Polished Chrome	120V	0.75	160Ω

How do I check the resistance?

Visit our website warmupedia.warmup.com for detailed instructions. If you own an ohmmeter, it's pretty simple. Set your meter to 200 ohms and put needles or clips on each conductor, to measure the resistance from one to the other.



Your package includes:

- 1  3 Mushrooms
- 2  50mm Woodscrews x3
- 3  6mm Diamond Drill Bit x1
- 4  Spare Fixing Screws for Bottom leg x1
- 5  Spare Fixing Screws for Top Leg x3
- 6  Wall Plugs x3
- 7  Grub Screws x2
- 8  Allen Key x1
- 9  Template for Tile Fixing x1

Contents for TW00X Mounting Bracket

- 1  50mm Woodscrews x3
- 2  Wall Plugs x3

CODE REQUIREMENTS

- Please note that this appliance must be installed as prescribed by the relevant wiring rules and regulations, including the regulations covering installation of appliances and accessories in 'wet areas' such as bathrooms, showers and laundries. Installations should be in accordance with National and Local Electrical Codes applicable in both the US and CANADA.
- In plain words, make sure that all wiring connections are done safely and according to code. Check with a professional electrician if unsure. Some areas require rigid or flexible conduit. Most areas require all connections to be made in an approved electrical box. Again, follow the instructions and hire licensed help where required to comply with your local regulations.

Note:

- This appliance requires a connection to ground
- An accessible all pole disconnection switch is required in the fixed wiring
- The heated towel warmer should be mounted vertically with the cord exiting from the base; it should be positioned at least 600mm/2 feet above the floor.

DO'S, DON'T'S AND SAFETY INFORMATION

As with any electrical appliance, you should be aware of basic safety precautions when using this heated towel warmer. Please read these instructions, and file them for future reference:

- Because this appliance gets hot, young children and impaired people or persons with disabilities should be supervised when nearby. Do not let children treat the towel rail as a toy.
- Do not hang excessive loads from the towel warmer rails. While securely anchored to the wall when properly installed, it is not intended to replace or serve as a grab bar.
- The towel warmer should NOT be used for anything other than its intended use of warming up and drying bathroom towels.
- Occasionally wipe down your towel warmer from time to time with a damp cloth and/or a stainless steel cleaner. Do not use any abrasives or corrosive cleaners.
- Be aware that the towel rail will get slightly hotter than normal during warmer weather and when insulated by towels.
- Do not put the towels, or anything else which has been in contact with hazardous liquids, on this towel rail.
- Do not immerse the towel rail in any liquid.

ELECTRICAL

- Use this appliance only with the voltage specified on the rating label.
- Electrical work should be performed by a licensed electrician.
- Make sure the supply cord never touches heated surfaces. If the electrical cord or connection is damaged DO NOT attempt to repair; please contact the supplier.
- Do not install towel rails in areas which may be subjected to saturation of water resulting in ingress of moisture. It is recommended that all units are protected via a GFCI circuit. The GFCI can be included on your breaker at the panel, or built into the thermostat like the Warmup 4iE® Smart thermostat.

MOUNTING YOUR TOWEL WARMER

Do note that all models will have the power cord exiting on the bottom right bracket (when facing the towel warmer mounted on the wall). Plan accordingly when setting up switches and electrical rough-in.

POSITIONING YOUR TOWEL WARMER



Screenshot of the Youtube video "Installing a Warmup Towel Warmer".

Select a desired position to mount the towel rail i.e. at least 600mm/2 feet above the floor and 300mm/1 foot away from all permanent fixtures in the surrounding area (toilet, vanity, etc).

The left side of your towel warmer must be anchored into a stud. Use a stud-finder tool to locate the 2x4 behind your drywall and mark it with a pencil. Hold your towel warmer level at the desired height and line it up with the stud on the left hand side.

Using a pencil, draw around the end of each tube to mark their positions on the wall. Make sure your marks are level and square as these will determine where you will secure the device to the wall.

Screw the mounting inserts securely to the wall at the locations marked. Press the towel warmer onto the mounting inserts gradually, checking that each leg is lined up with the mounting inserts before applying force. Mount the towel warmer with a single grub screw on each of the 4 brackets.

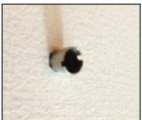
CONCEALED CORD ENTRY WITH ATTACHED J-BOX

1. Refer to the "Mounting your towel Warmer" section to identify exact location of the brackets.
2. The lower right bracket of your towel warmer will come supplied with a box cover plate that covers a standard 2x4 "single gang" electrical box.
 - a) If your J-box is already located and supplied by the electrician, use that as the main point to determine where the other 3 brackets will fall. You must ensure that the left side of the towel warmer is secured to wood or metal studs or a structural element.
 - b) If your J-box is not yet roughed-in, mark the space of the cover plate on the wall to determine the exact location.
3. To connect your towel warmer, first wire the power connection cord to the supplied 120V power in the J-box.
 - a) Always ensure the power is turned off at the breaker box to avoid electrical shock.
 - b) You can trim the power cord to your needs leaving no less than 12" exiting the towel warmer.
 - c) Upon secure connection to the line voltage, mount the towel warmer to the brackets and secure by tightening the grub screws underneath each bracket.

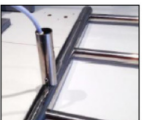
CONCEALED CORD ENTRY WITH REMOTE J-BOX

If you choose to locate the J-box elsewhere than at the recommended bottom right of the towel warmer, follow the instructions below. You can also wire it directly into the switch box where you control your towel warmer, or into the box where your Warmup 4iE® Smart thermostat is mounted. Please ensure you comply to all local and national code requirements in regards to line voltage wire in conduit. State and local regulations vary (flex conduit, rigid conduit or neither) and must be respected to avoid electrical hazards.

1. Mount the concealed cable mushroom into the wall where the lower right hand bracket will be located (lower right as you look at the mounted towel warmer on the wall)



2. Ensure you have a code compliant connection between the mushroom anchor and your electrical connection in the J-box.
3. Determine the other 3 anchor points and secure the wall anchors accordingly.
4. You must ensure that the left side of the towel warmer is secured to wood or metal studs or a structural element.
5. Your lead wire is 6ft long (except models TW001 and TW002 where it is 3ft). You can trim it to your needs leaving no less than 12" outside of the towel warmer.
6. Remove the cover plate from the lower right hand bracket.



7. Sleeve the cable through the wall anchor mushroom and fish it through to your electrical connection. All electrical connections and wiring must be compliant with local and national electrical codes. Please check with a licensed electrician.
8. Finally safely push your towel warmer into place and tighten the grub screws underneath each bracket.

FOR MODELS TW001 AND TW002

MOUNTING INSTRUCTIONS

The single bar rails are individual heated bars installed horizontally in a 'landscape' direction, one on top of the other to create an aesthetic floating 'ladder' feature in the bathroom. The installation of this model requires access behind the drywall and should be completed before hanging drywall. In other instances, mark the placement of the towel warmer and cut out the drywall at least 6" wider around the towel warmer. Remove the drywall cutout from the wall and proceed with mounting instructions below.

All bars are right-hand hard wired connections. This means the left side of your horizontal bars will need to line up on a stud. Use a stud-finder to locate the stud and mark the placement of the towel warmer with a pencil. Then proceed as above with cutting out the drywall for mounting.

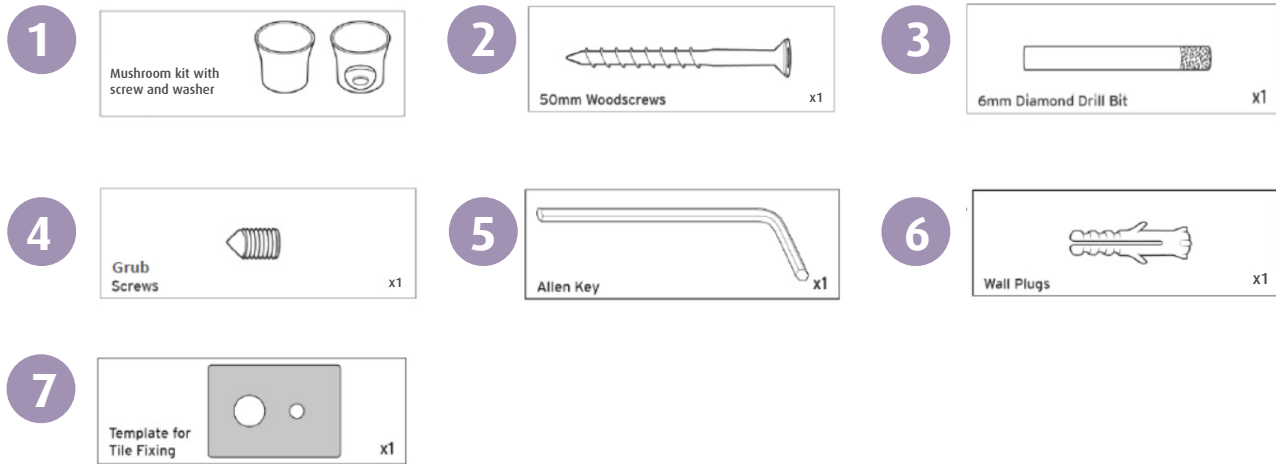
Your TW001 or TW002 bars will be supplied with a mounting rail. This mounting rail will be secured on the right hand side of the rails (right side when facing the towel warmer on the wall).

Mount up to 4 towel bars at 160mm spacing (6-1/2") on a single mounting bracket. Or at 80mm (3-1/4") you can mount up to 8 bars on a single mounting bracket.

- A minimum of 4 bars should be installed, with best results from 6 to 8 bars.
- For more than 4 bars, use narrower spacing (up to 8 bars) or request additional mounting brackets.
- There is no limit on the number of bars that can be used, though be mindful of total amperage available on your electrical circuit.



Your package includes:



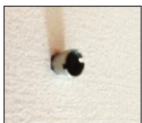
CONCEALED CORD ENTRY WITH REMOTE J-BOX

With TW001 and TW002 models, the j-box or connection point will be located away from the bottom right of your towel warmer. This can either be near the appliance or directly into a switch box or gang box hosting your Warmup 4iE controller (optional). Do note that the leads exiting each bar are 3ft in length. Do not extend these leads in the wall outside of a code compliant junction box. It is not safe to make electrical connections outside of a junction box.

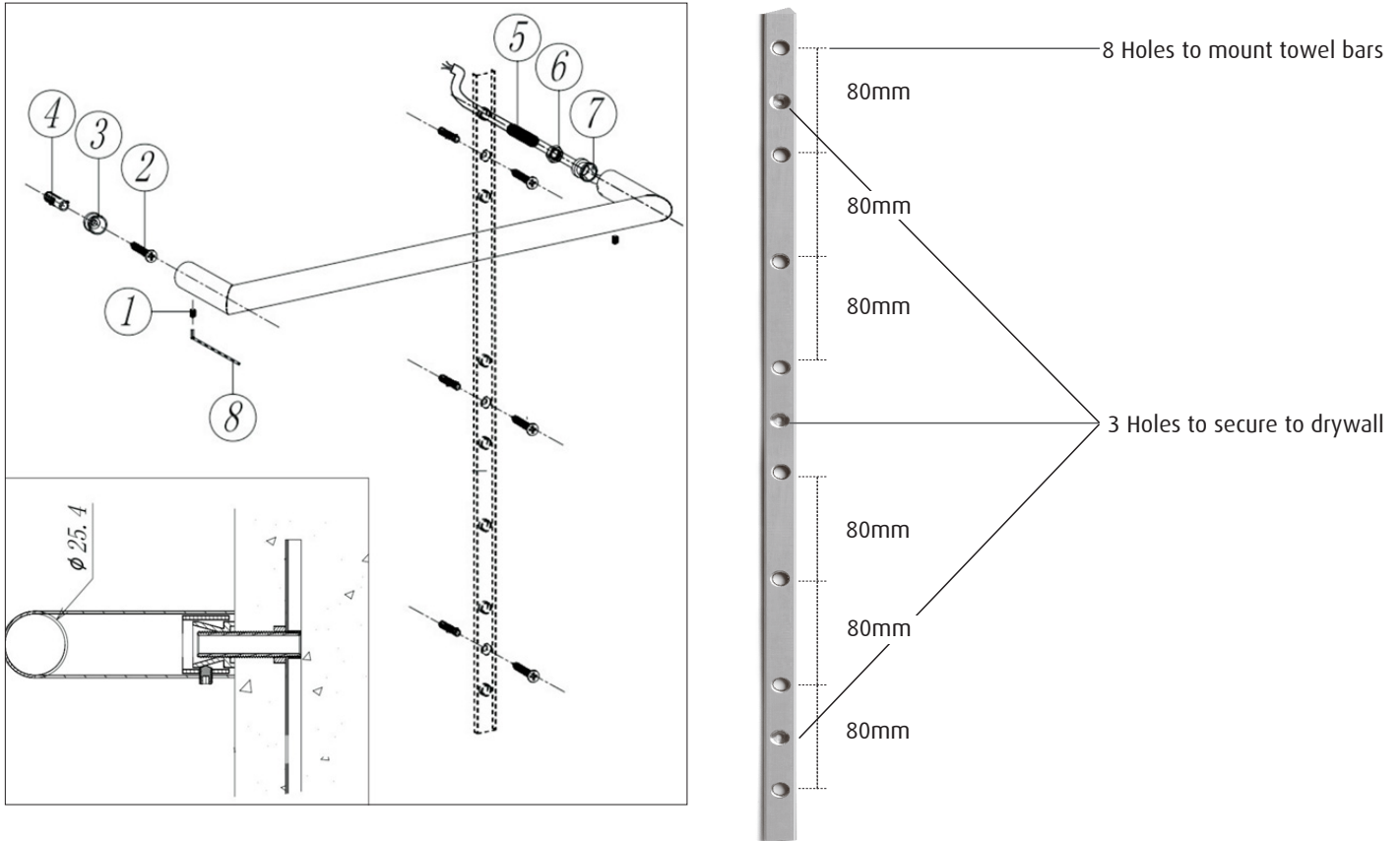
Please ensure you comply to all local and national code requirements in regards to line voltage wire in conduit. State and local regulations vary (flex conduit, rigid conduit or neither) and must be respected to avoid electrical hazards.

The installation of this model requires access behind the drywall and should be completed before hanging drywall. In other instances, mark the placement of the towel warmer and cut out the drywall at least 6" wider around the towel warmer. Remove the drywall cutout from the wall and proceed with mounting instructions below:

1. Mount the concealed cable mushroom into the wall where the lower right hand bracket will be located (lower right as you look at the mounted towel warmer on the wall)



2. Ensure you have a code compliant connection between the mushroom anchor and your electrical connection in the j-box.
3. Determine the other anchor points and secure the wall anchors accordingly.
 - a) This will be specifically identified by the location of the mounting bracket bar secured to the back of the drywall panel
4. You must ensure that the left side of the towel warmer is secured to wood or metal studs or a structural element.
5. Your lead wires are 3ft leaving each bar. You can trim it to your needs leaving no less than 12" outside of the towel warmer
6. Sleeve the cables through the wall anchor mushrooms and fish them through to your electrical connection. All electrical connections and wiring must be compliant with local and national electrical codes. Please check with a licensed electrician.
7. Finally safely push your towel bars into place and tighten the grub screws underneath each bracket.



PRODUCT WARRANTY

Any heated towel warmer that is found to be defective due to substandard materials and/or workmanship within 3 years of purchase will be replaced. To make a claim under this warranty, contact Warmup at (888) 927-6333. Your claim will be assessed based on the information you provide. You will be required to return the defective product for assessment at your cost. **Register your warranty online: www.warmup.com/register-warranty.**

This warranty does not cover any installation or removal costs. The warranty does not extend to any consequential loss, damage, misuse, neglect, alteration or incorrect installation. Items that have been cleaned with anything other than approved cleaners will not be replaced. Attach your proof of purchase and keep in a safe place with this warranty form. You must have your proof of purchase for your warranty to be valid.

WIRING INSTRUCTIONS

120 V
60 Hz

Grounding Neutral

Plastic Box

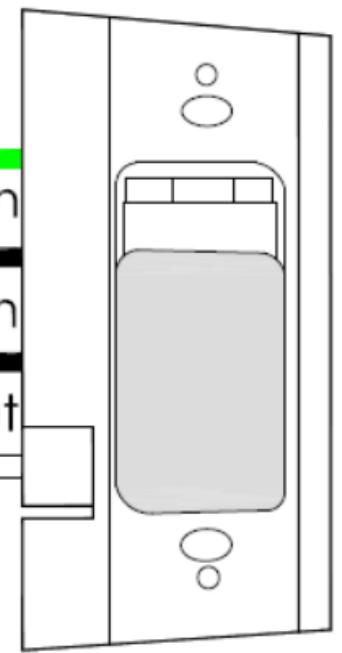
Line (Hot)

Green

Line In

Line out

White



Timer or Switch

Models:
60 W - 1/2 A
150 W - 1 1/4 A
240 W - 2 A

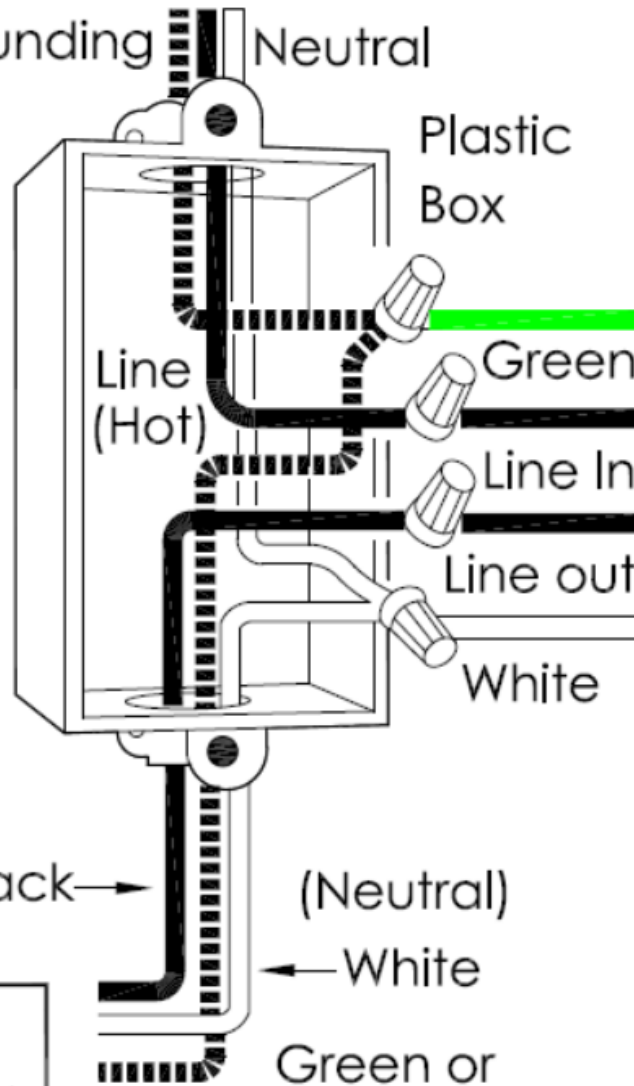
Black

(Neutral)

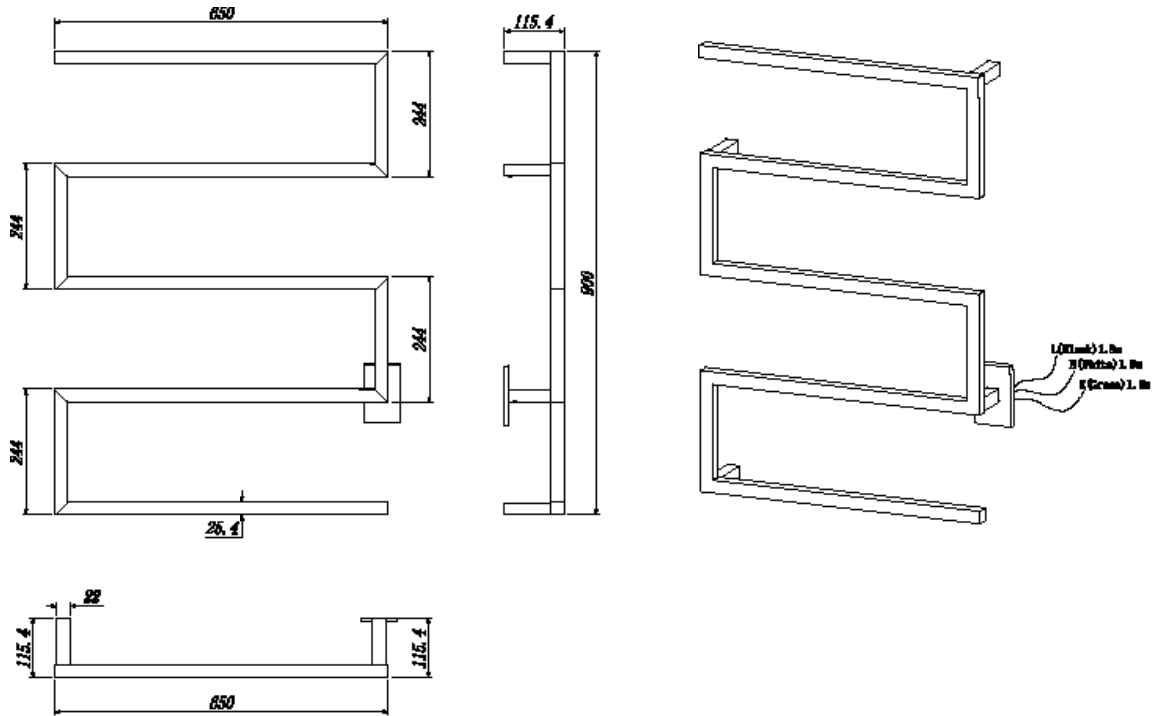
White

Green or bare copper

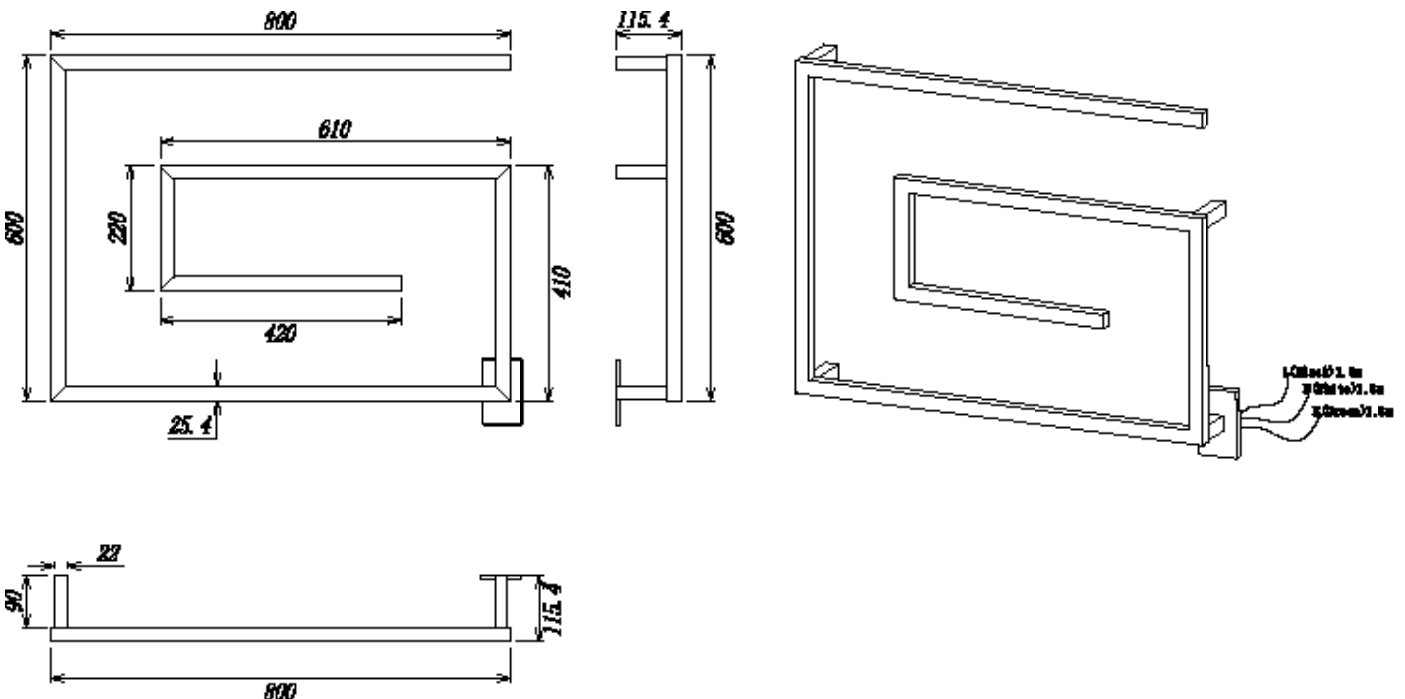
Heated Towel Rail



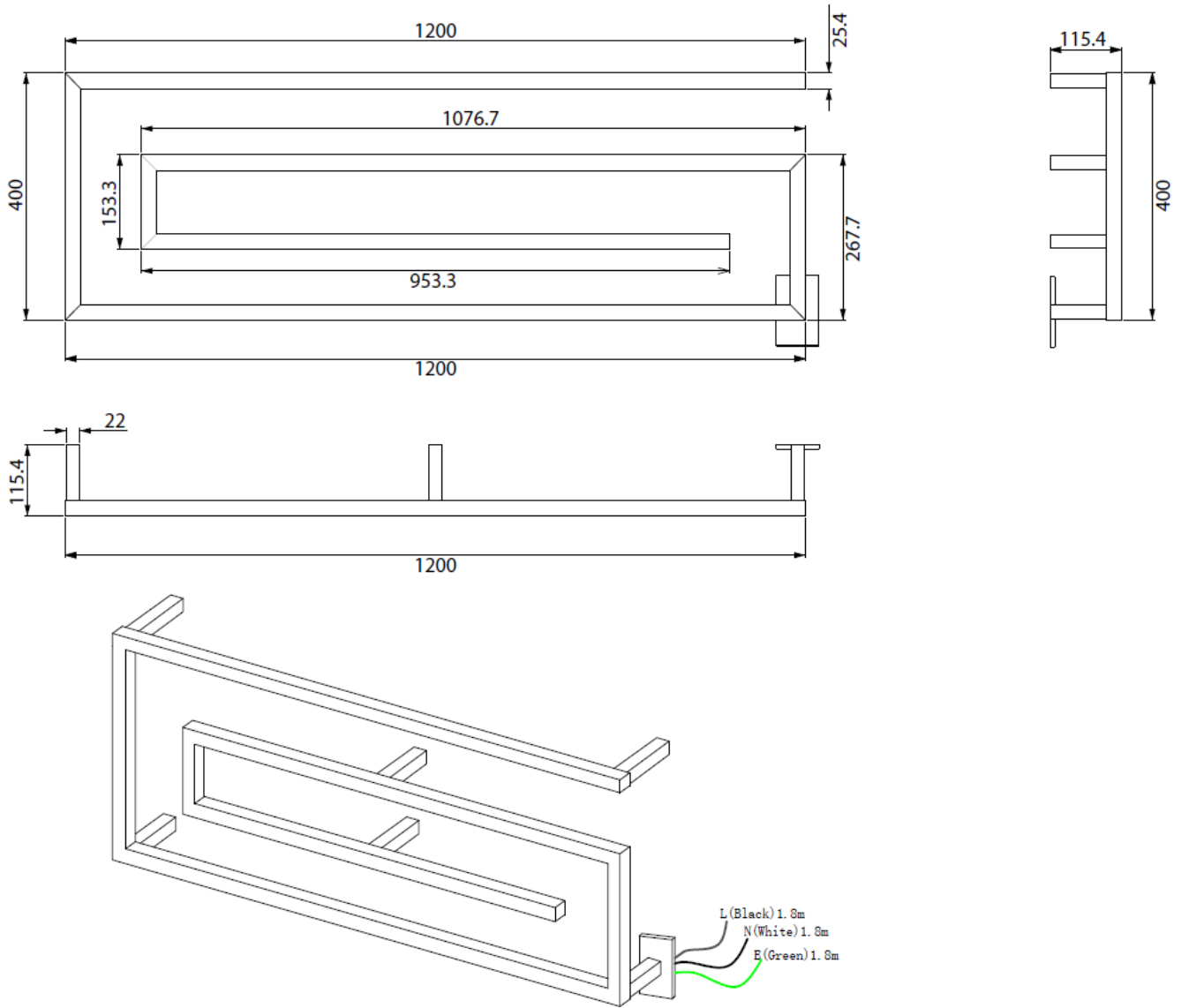
CODE	TUBE SHAPE	BARS	FINISH	VOLTAGE	AMPERAGE	RESISTANCE
HTR-082PC	Square	5	Polished Chrome	120V	0.5A	240Ω



CODE	TUBE SHAPE	BARS	FINISH	VOLTAGE	AMPERAGE	RESISTANCE
HTR-081PC	Square	4	Polished Chrome	120V	0.5A	240Ω

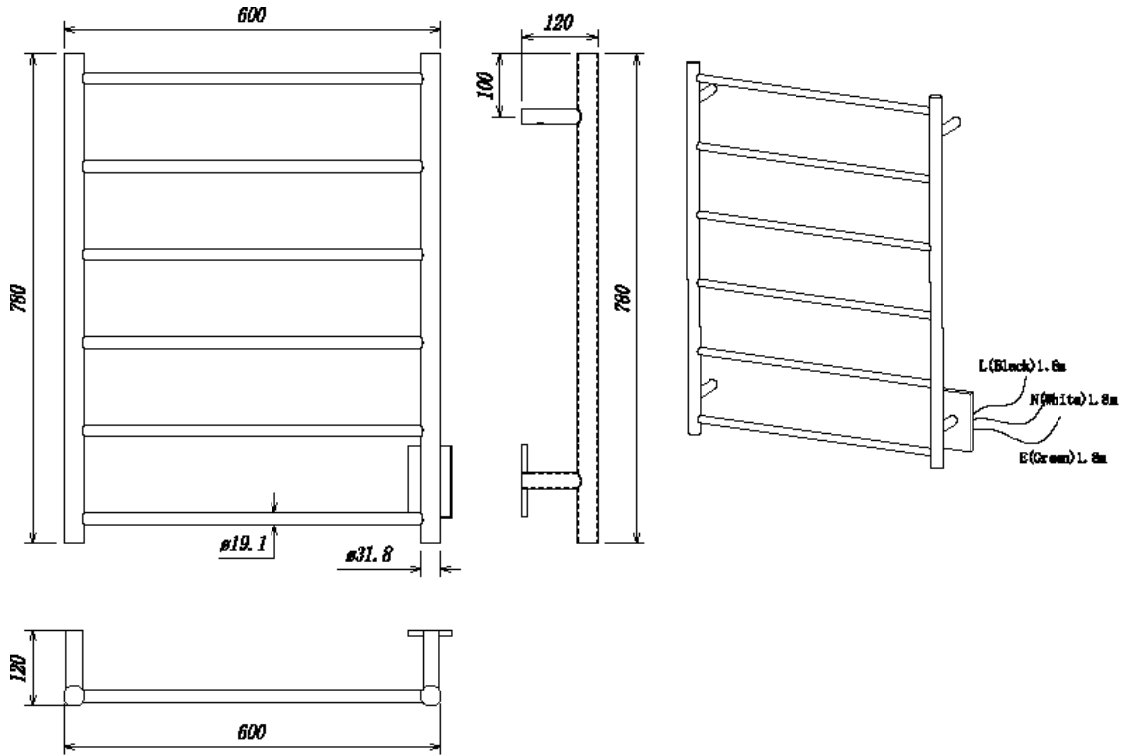


CODE	TUBE SHAPE	BARS	FINISH	VOLTAGE	AMPERAGE	RESISTANCE
HTR-080PC	Square	4	Polished Chrome	120V	0.67	180Ω

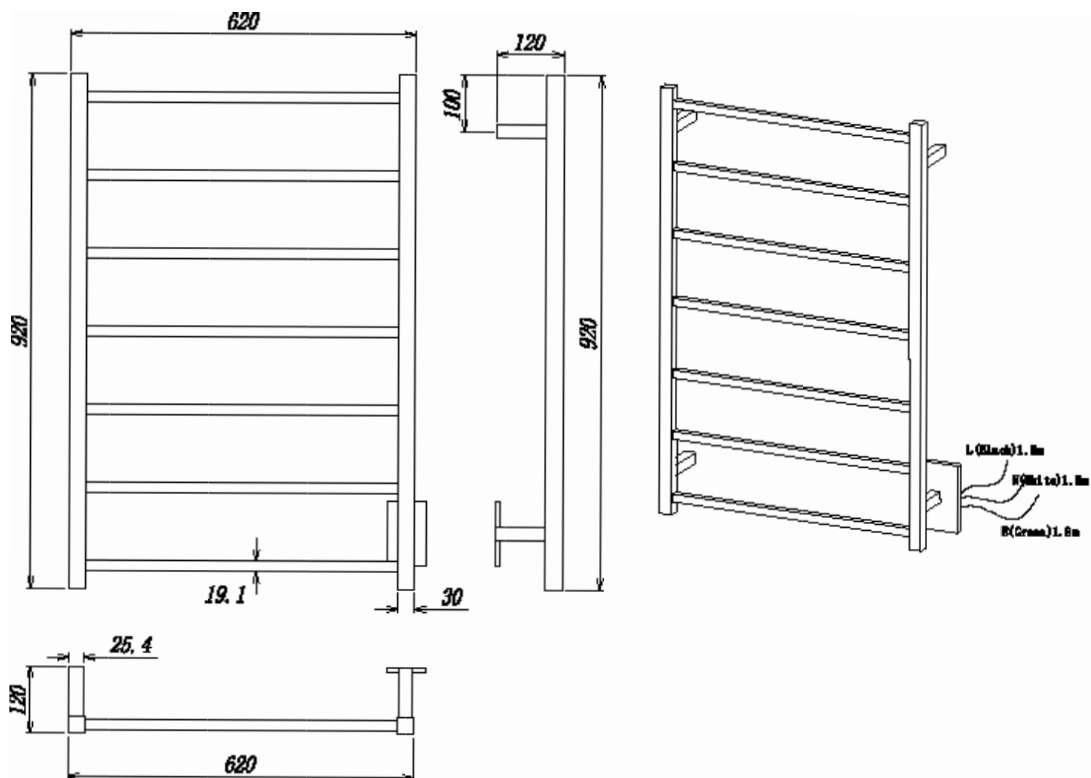


TOWEL WARMER INSTALLATION INSTRUCTIONS

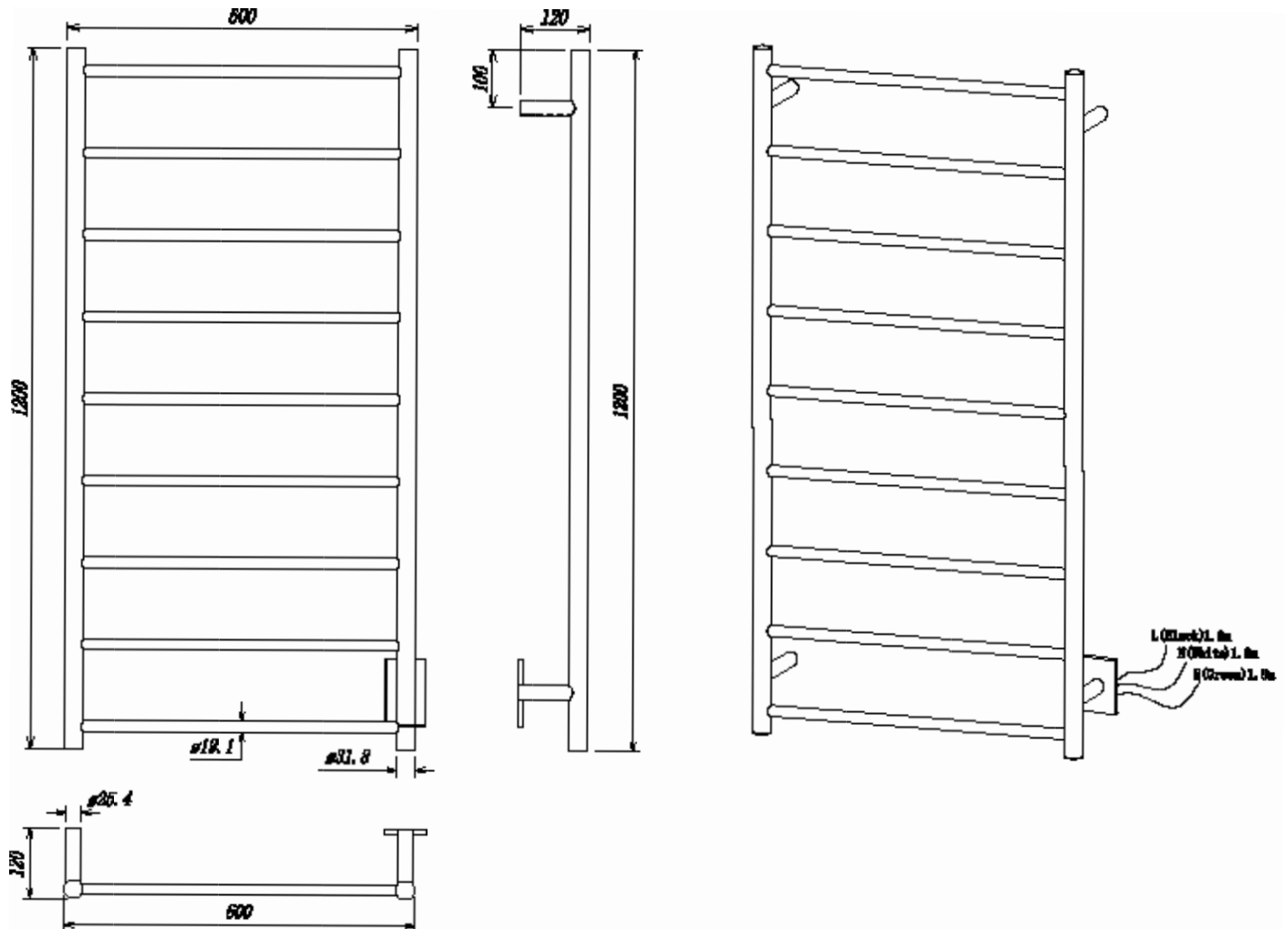
CODE	TUBE SHAPE	BARs	FINISH	VOLTAGE	AMPERAGE	RESISTANCE
HTR-091B	Round	6	Matte Black	120V	0.5A	240Ω



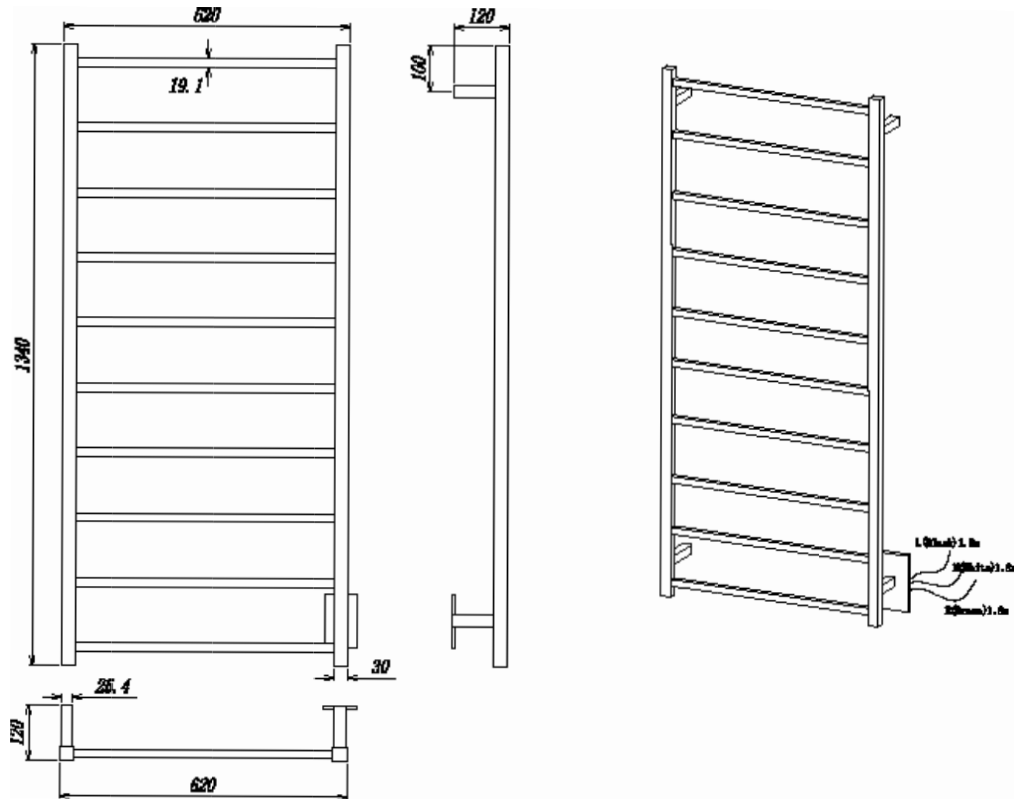
CODE	TUBE SHAPE	BARs	FINISH	VOLTAGE	AMPERAGE	RESISTANCE
HTR-107BN	Square	7	Brushed Nickel	120V	0.67A	180Ω



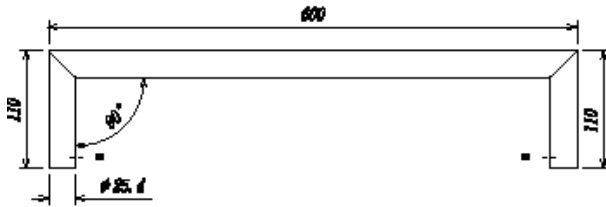
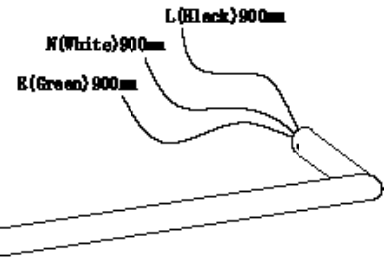
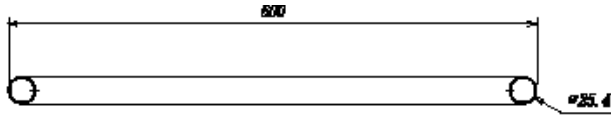
CODE	TUBE SHAPE	BAR	FINISH	VOLTAGE	AMPERAGE	RESISTANCE
HTR-092PC	Round	9	Polished Chrome	120V	0.75A	160Ω



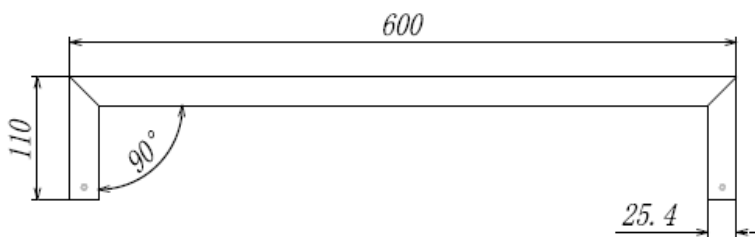
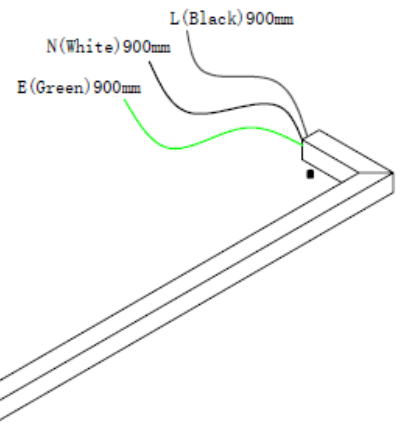
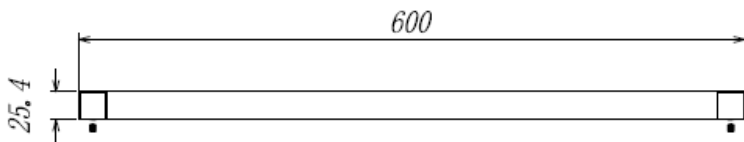
CODE	TUBE SHAPE	BARS	FINISH	VOLTAGE	AMPERAGE	RESISTANCE
HTR-110BN	Square	10	Brushed Nickel	120V	1.0A	120Ω

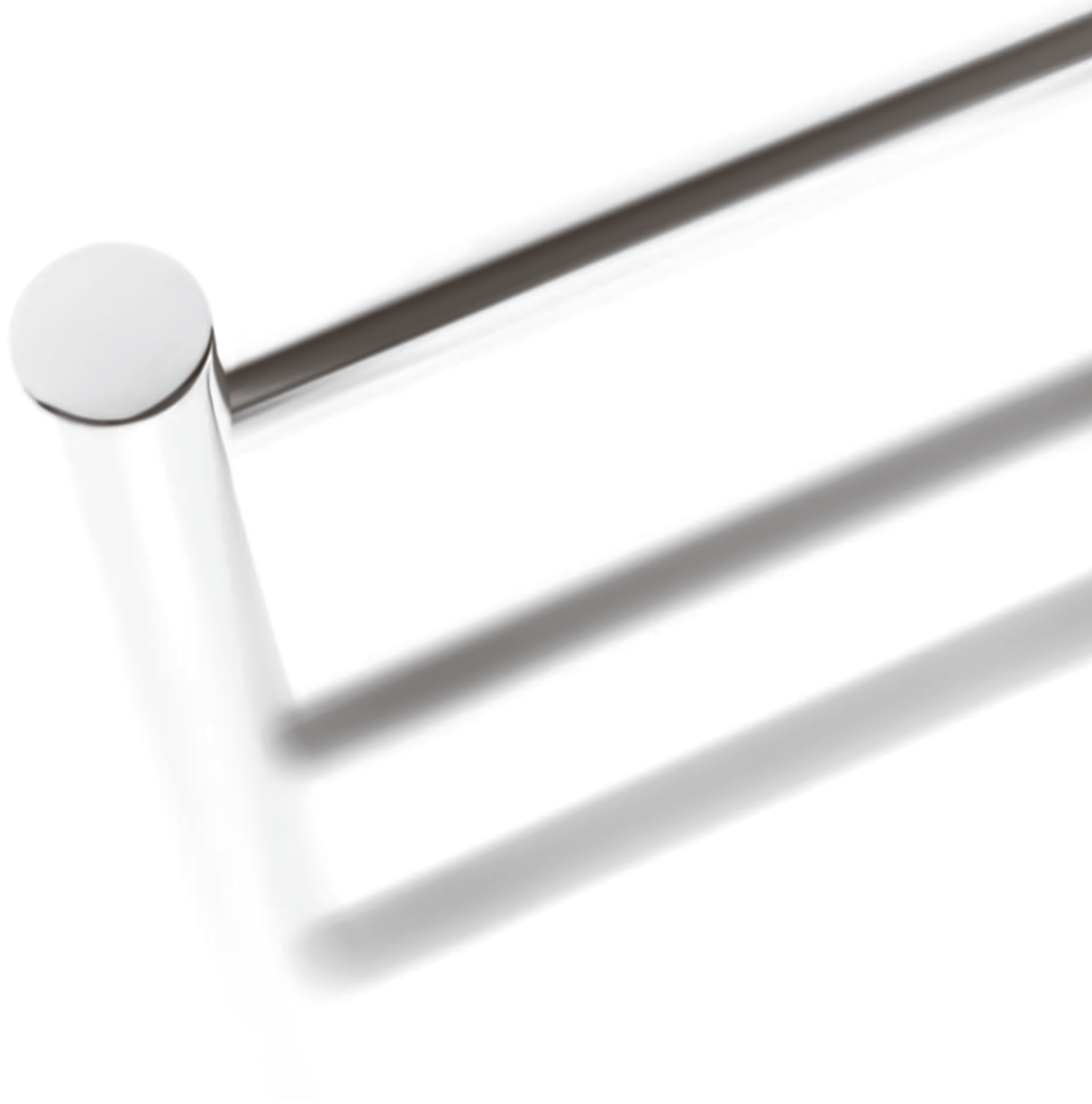


CODE	TUBE SHAPE	BARS	FINISH	VOLTAGE	AMPERAGE	RESISTANCE
HTR-001B	Round	1-4	Matte Black	120V	0.12	1000Ω
HTR-001PC	Round	1-4	Polished Chrome	120V	0.12	1000Ω



CODE	TUBE SHAPE	BARS	FINISH	VOLTAGE	AMPERAGE	RESISTANCE
HTR-002B	Square	1-4	Matte Black	120V	0.12	1600Ω





Warmup[®]

The world's **best-selling** floor heating brand™

us@warmup.com | ca@warmup.com